

Katrin Plus Industrial Towel XL2 1500

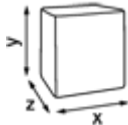


481559

- Extra strong Plus quality industrial drying paper that is highly and rapidly absorbent
- 2-Ply, white
- Perfect for demanding drying and cleaning applications
- Particularly good for oil, grease, detergents, solvents and water
- Long roll (1,500 sheets) for high usage areas
- Approved for short-term contact with food
- Certified under the Nordic Swan Eco Label
- Certified under the EU Flower Eco Label



 ISO9001  ISO14001  

Product / Consumer pack

	x 390 mm y 265 mm z 390 mm		White 2 Ø 390 y 265 mm x 570 m Ø 71 mm		5.65 kg 2 x 18 g/m ² 1500 1
---	----------------------------------	---	---	---	---

Transport pack

	x 390 mm y 265 mm z 780 mm		2 2		11.38 kg 4004231481559
---	----------------------------------	---	--------	---	---------------------------

Transport pallet

	x 800 mm y 2270 mm z 1200 mm		24		299 kg 4004231704399
---	------------------------------------	---	----	---	-------------------------

Related products



54909
**Katrin Industrial
Floor Dispenser -
Black Metal**



54930
**Katrin Industrial
Wall Dispenser -
Black Metal**



54954
**Katrin Industrial
Waste Bag Holder -
Black Metal**



54961
**Katrin Industrial
Wipe Holder -
Black Metal**